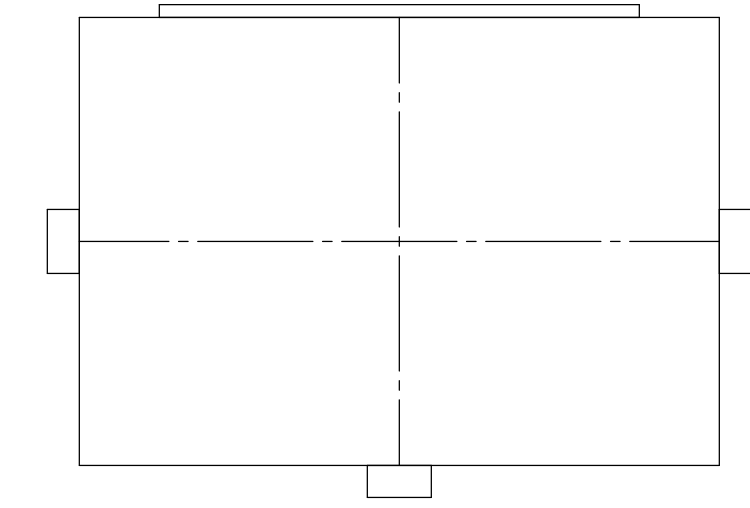
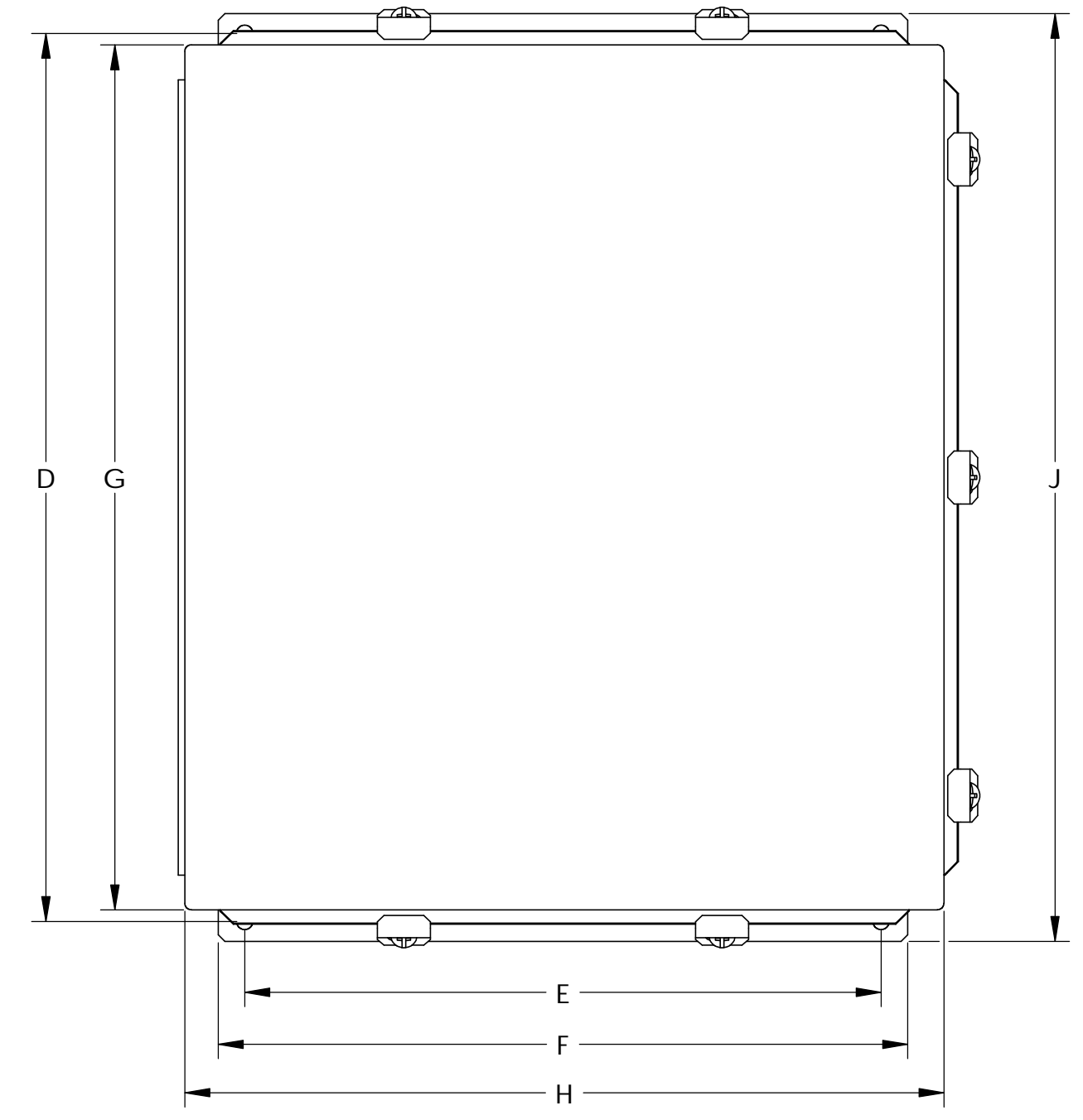
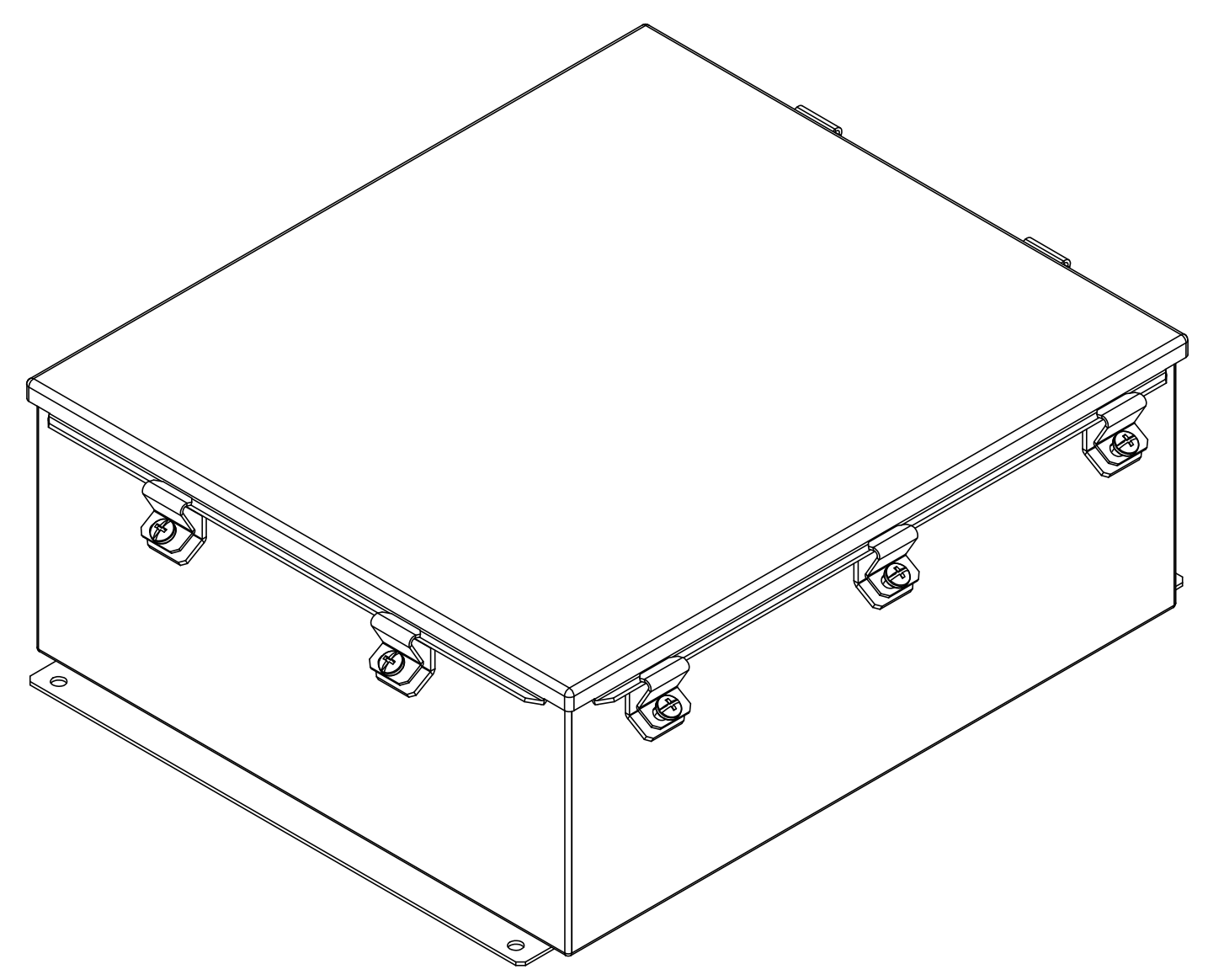
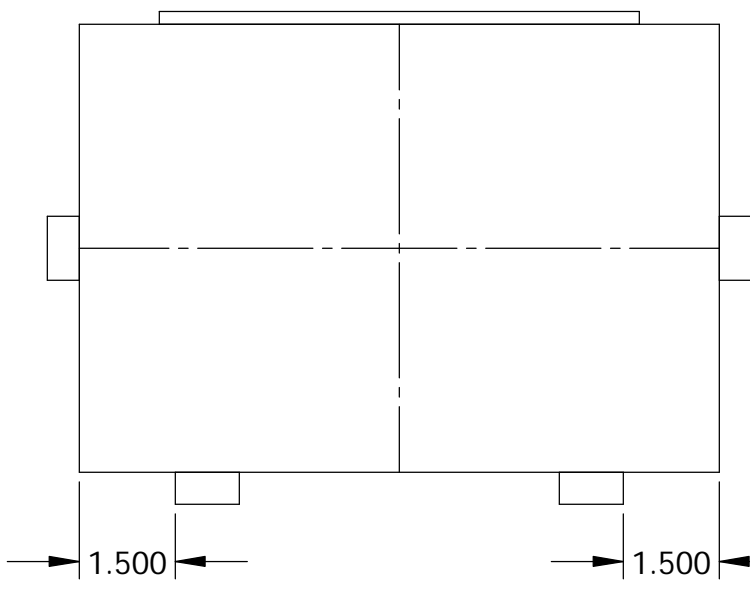


THE INFORMATION CONTAINED IN THIS DRAWING IS THE SOLE PROPERTY OF BUD INDUSTRIES INC. ANY REPRODUCTION IN PART OR WHOLE WITHOUT THE WRITTEN PERMISSION OF BUD INDUSTRIES INC. IS PROHIBITED.

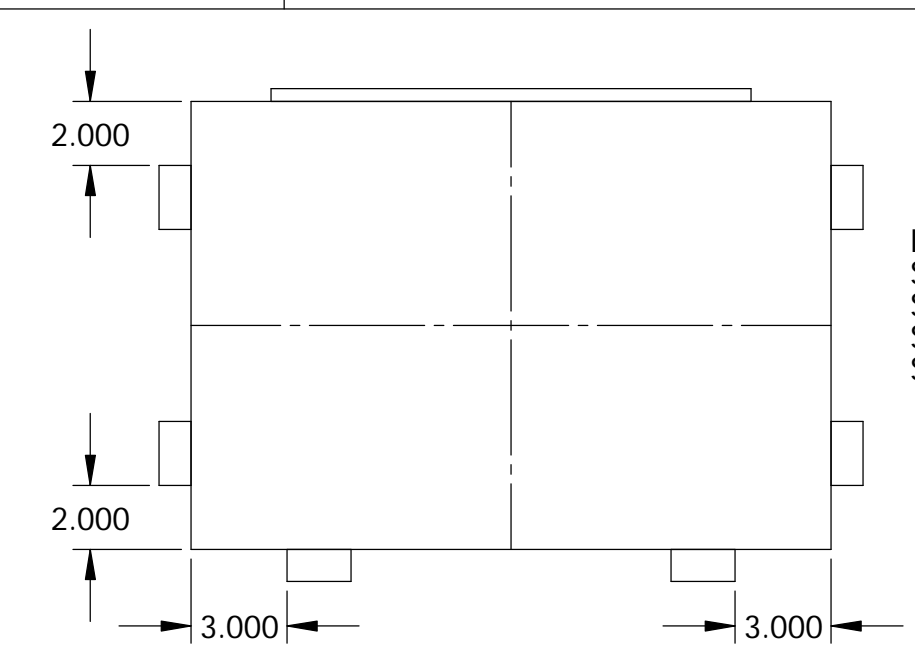
SN-3700	
ISSUE	REVISIONS
(A)	ADDED LATCH DETAILS 3-1-06
(B)	UPDATED COVER ASSY., UPDATED COVER LOCATION 5-4-06 DP
(C)	UPDATED WELD INFO., HINGE AND LATCH LOCATION. ADDED DETAIL B. UPDATED PART NUMBERS 5-16-06 DP
(D)	UPDATED HARDWARE INFO. 6-28-06 DP
(E)	ADDED LABELS 8-3-06 DP



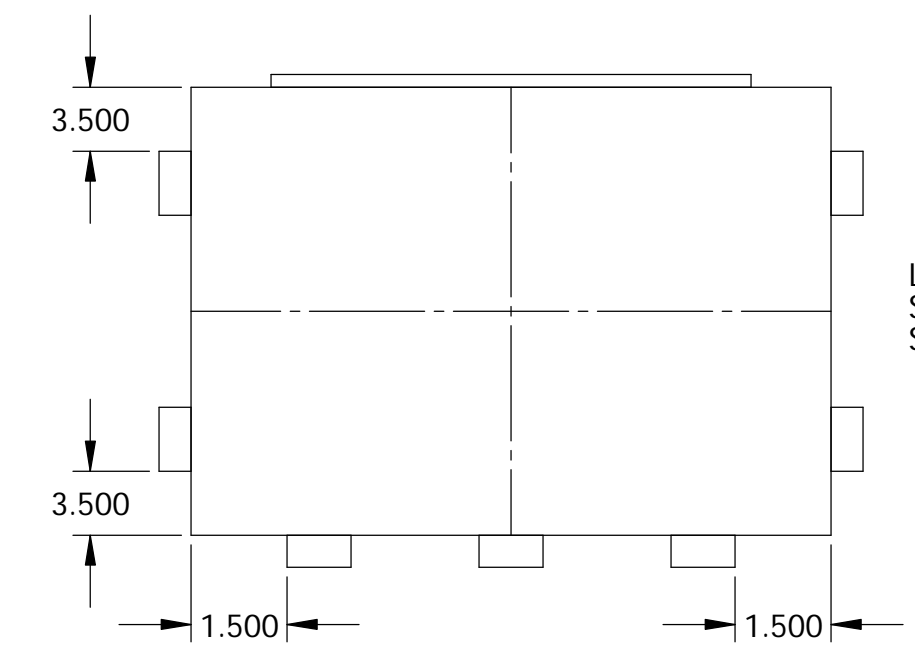
LATCH POSITION FOR  
SN-3700  
SN-3701  
SN-3702



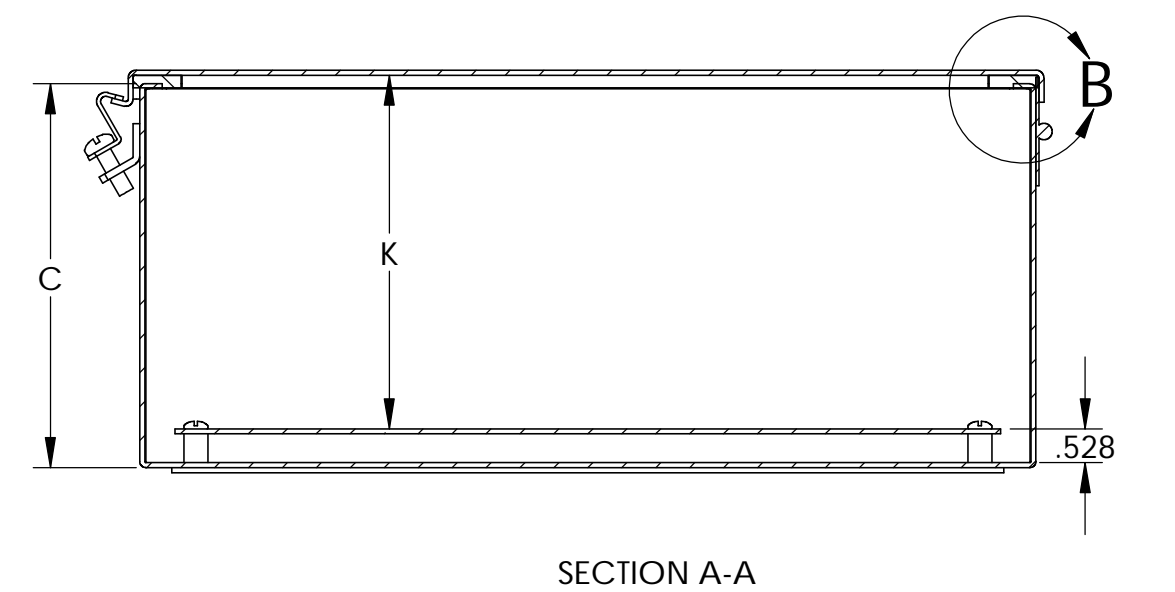
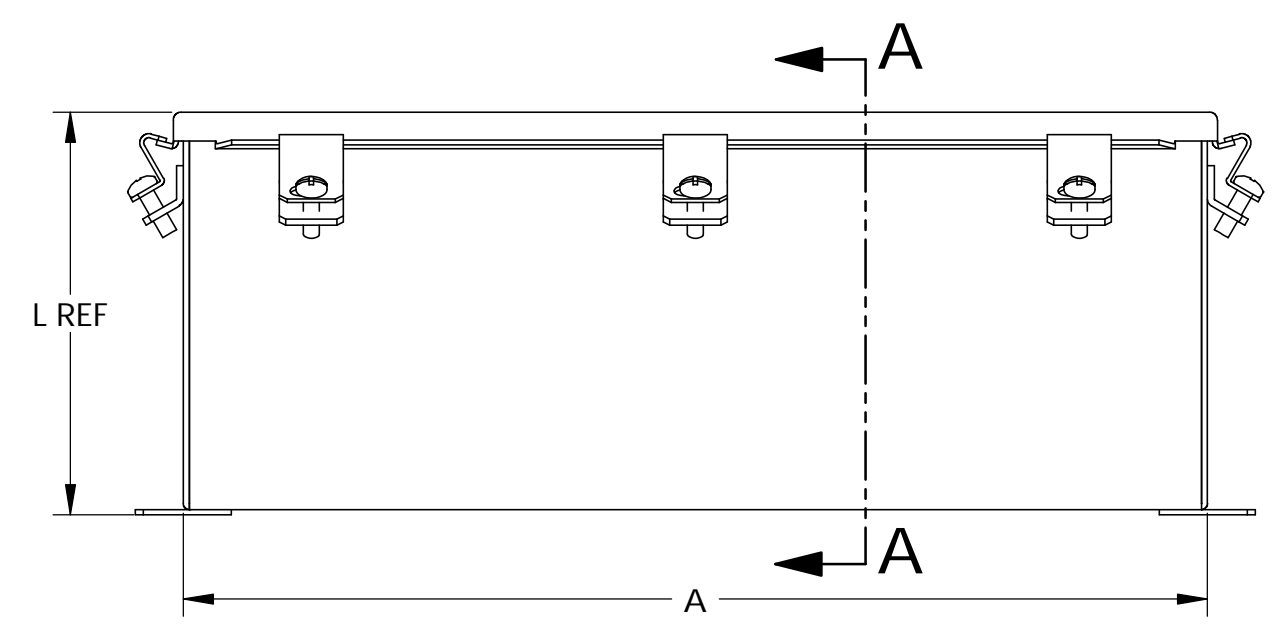
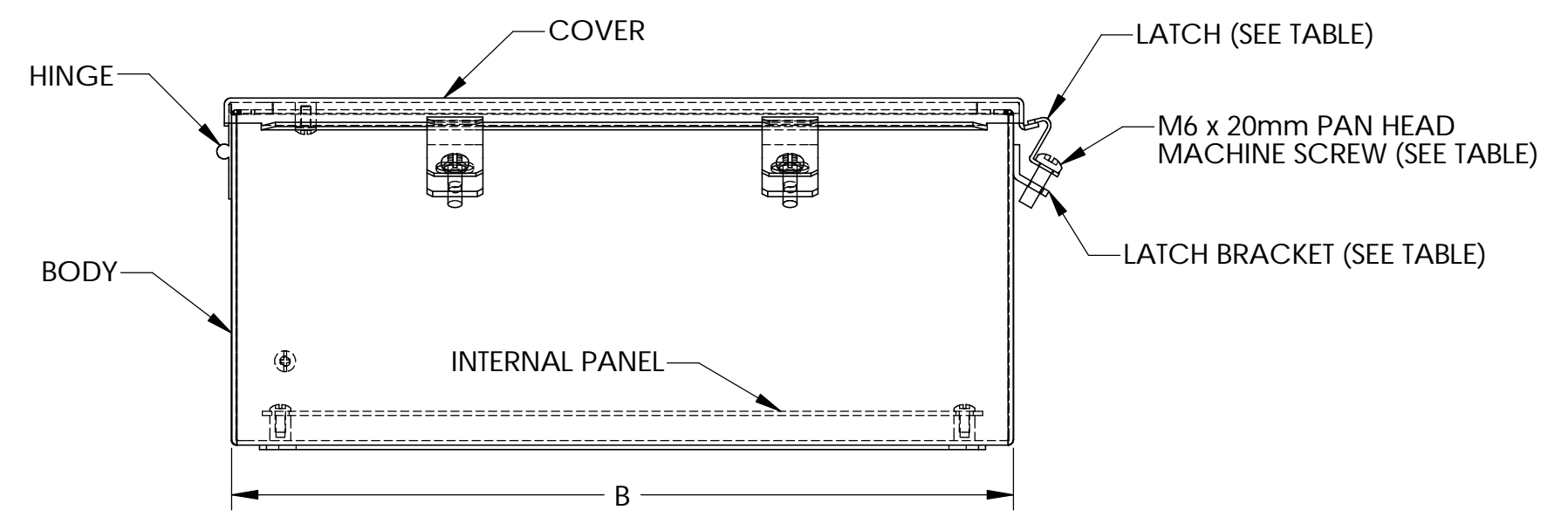
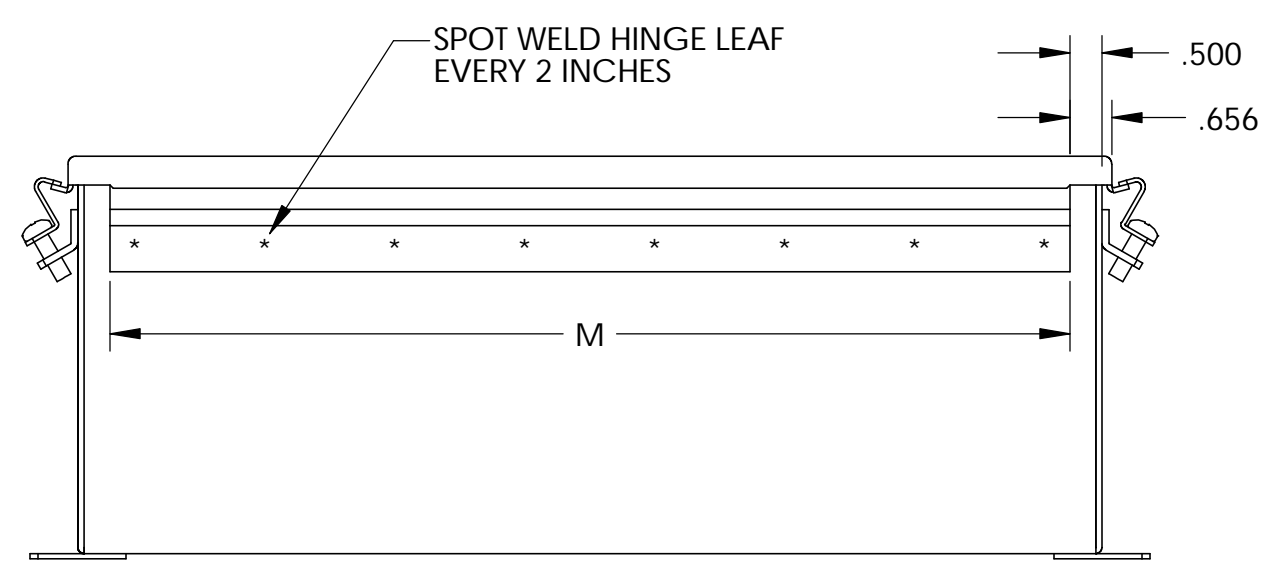
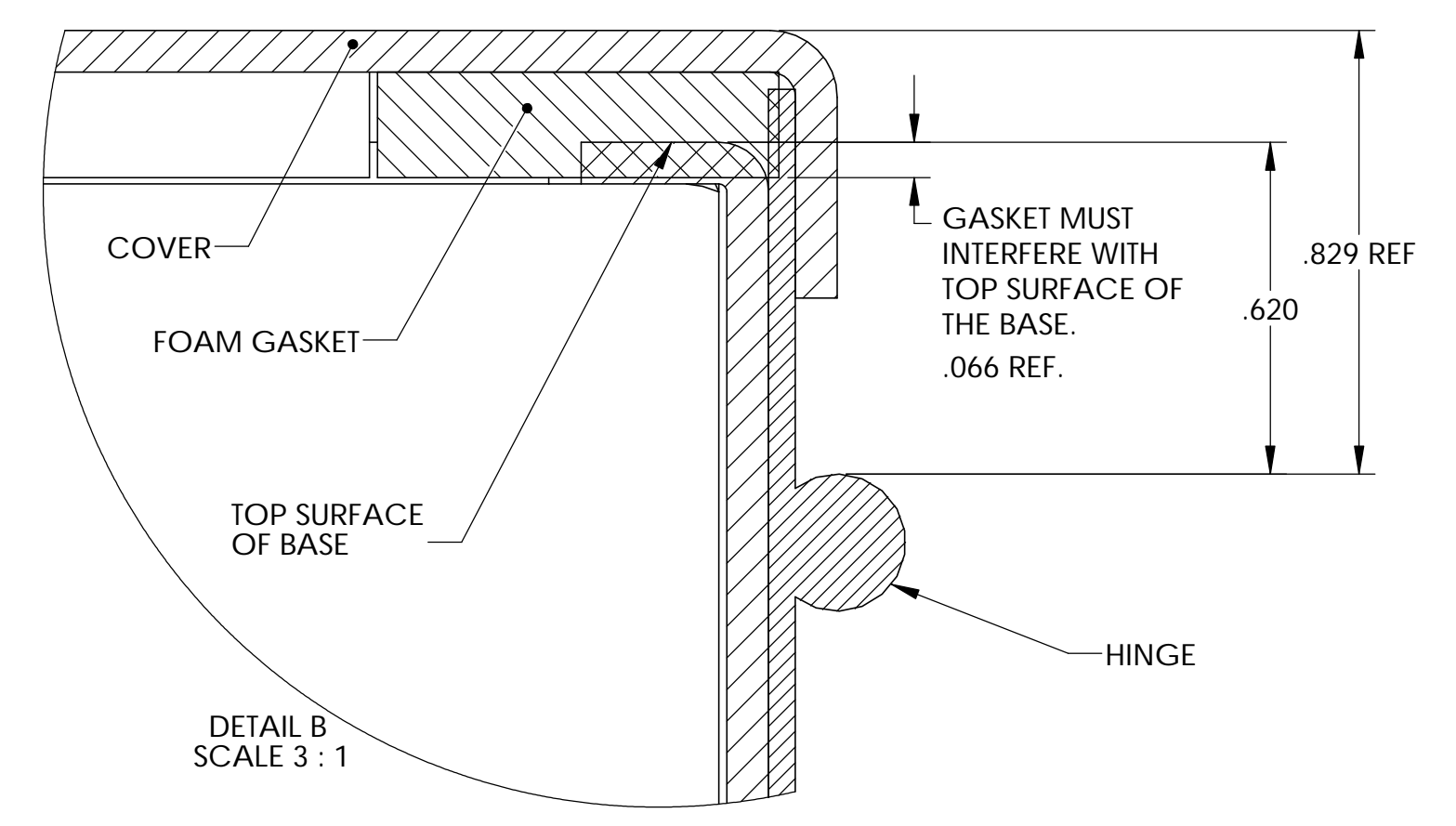
LATCH POSITION FOR  
SN-3704



LATCH POSITION FOR  
SN-3703  
SN-3705  
SN-3706  
SN-3708



LATCH POSITION FOR  
SN-3707  
SN-3709



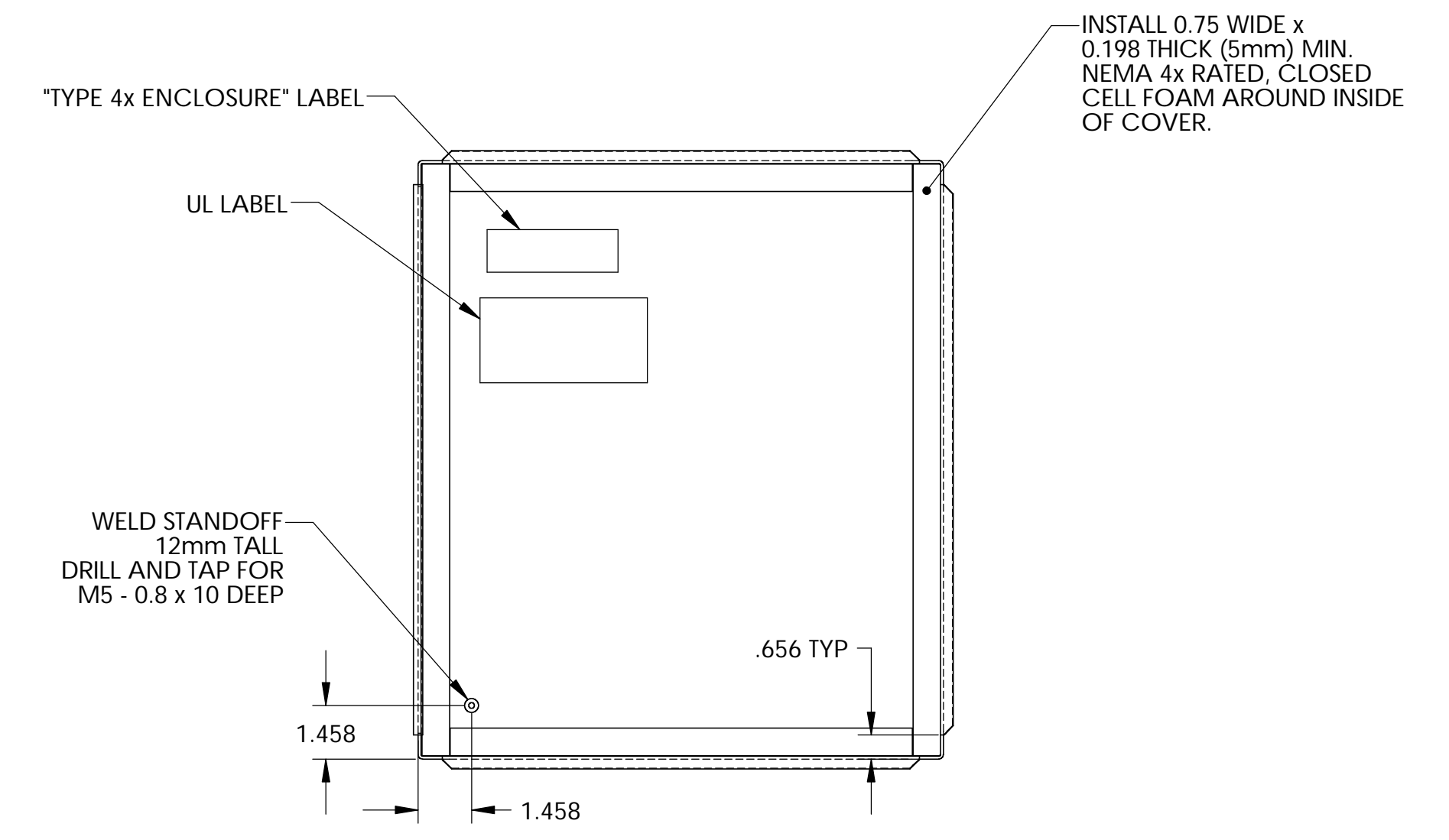
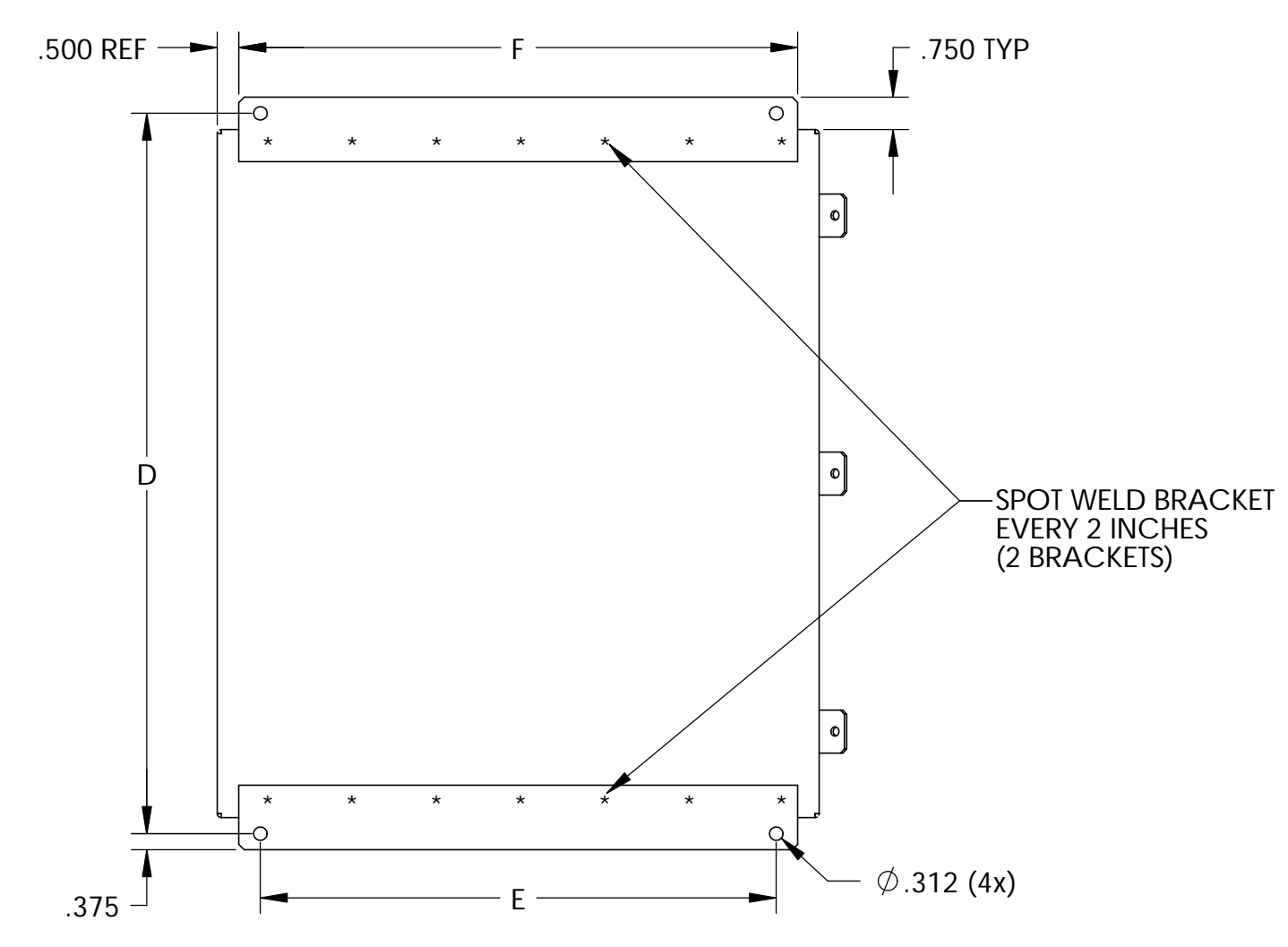
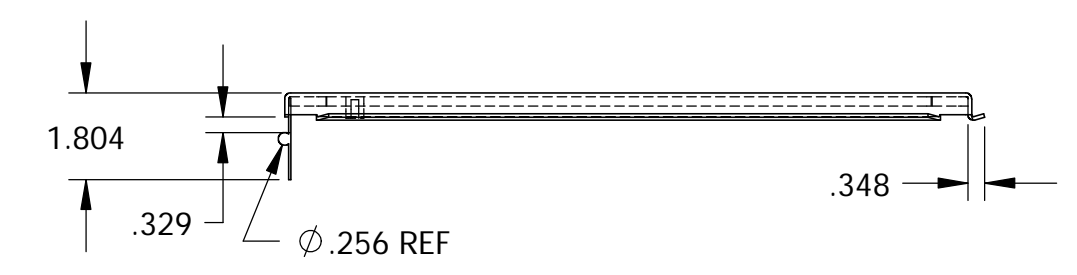
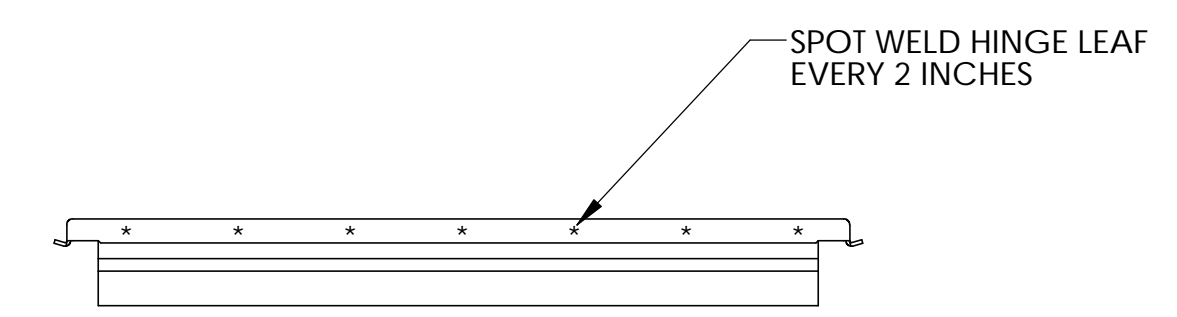
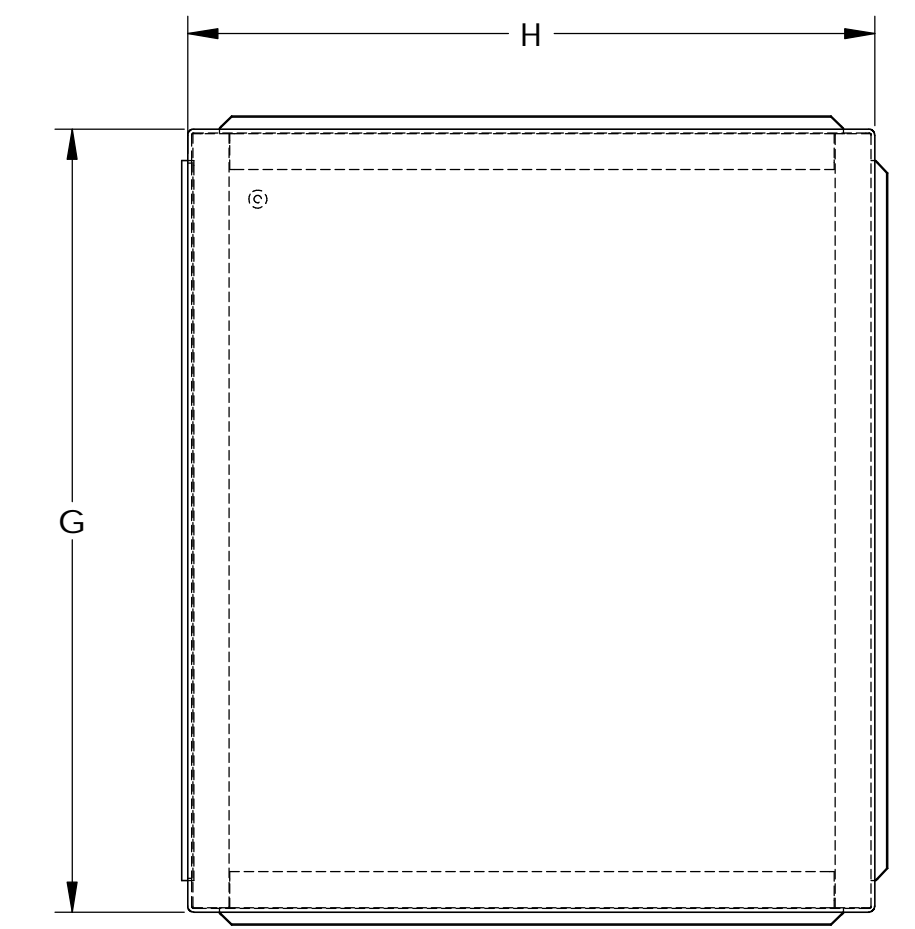
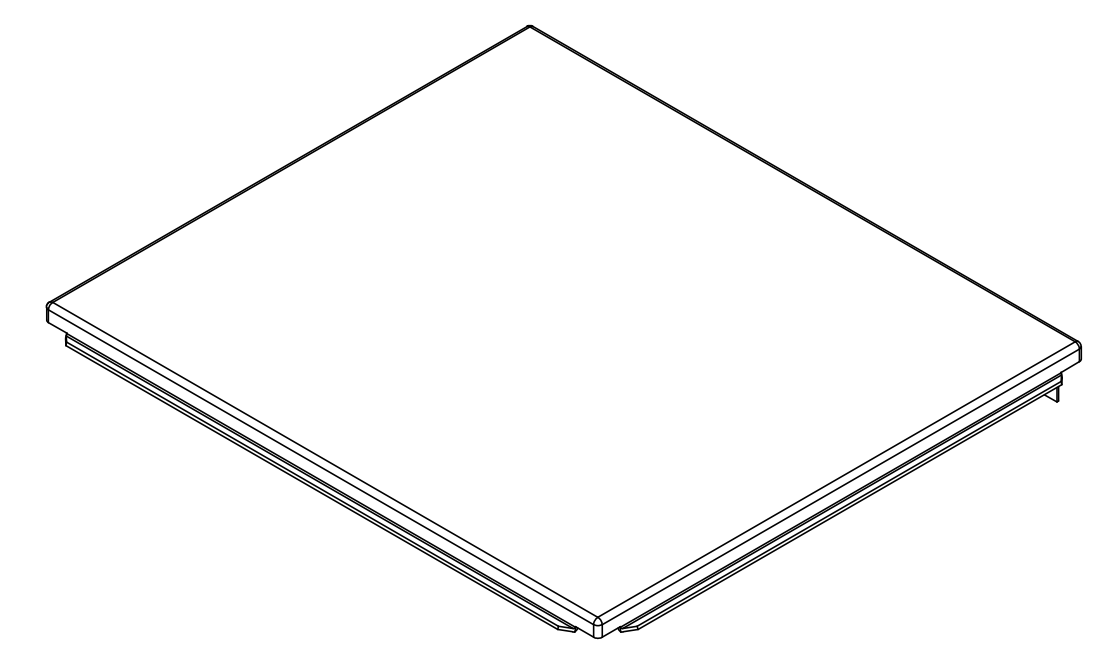
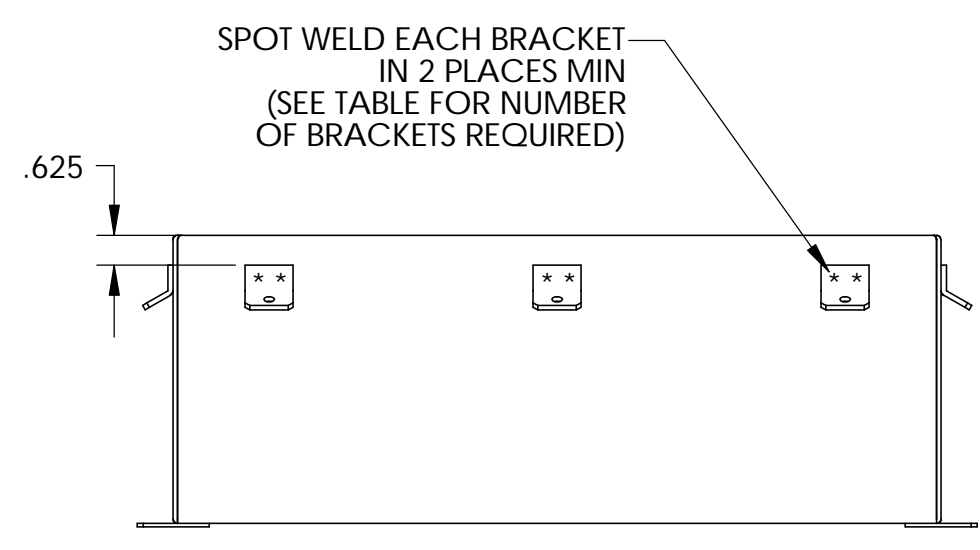
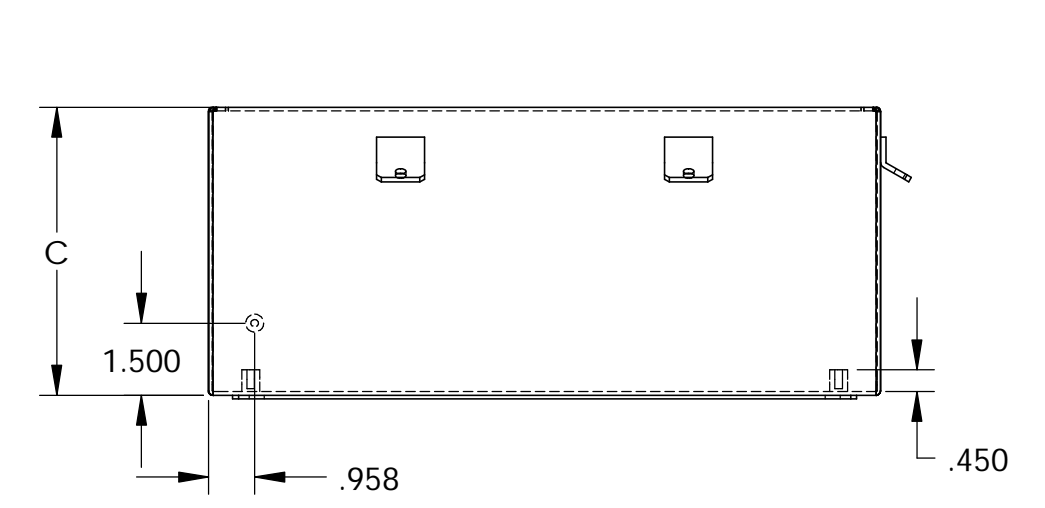
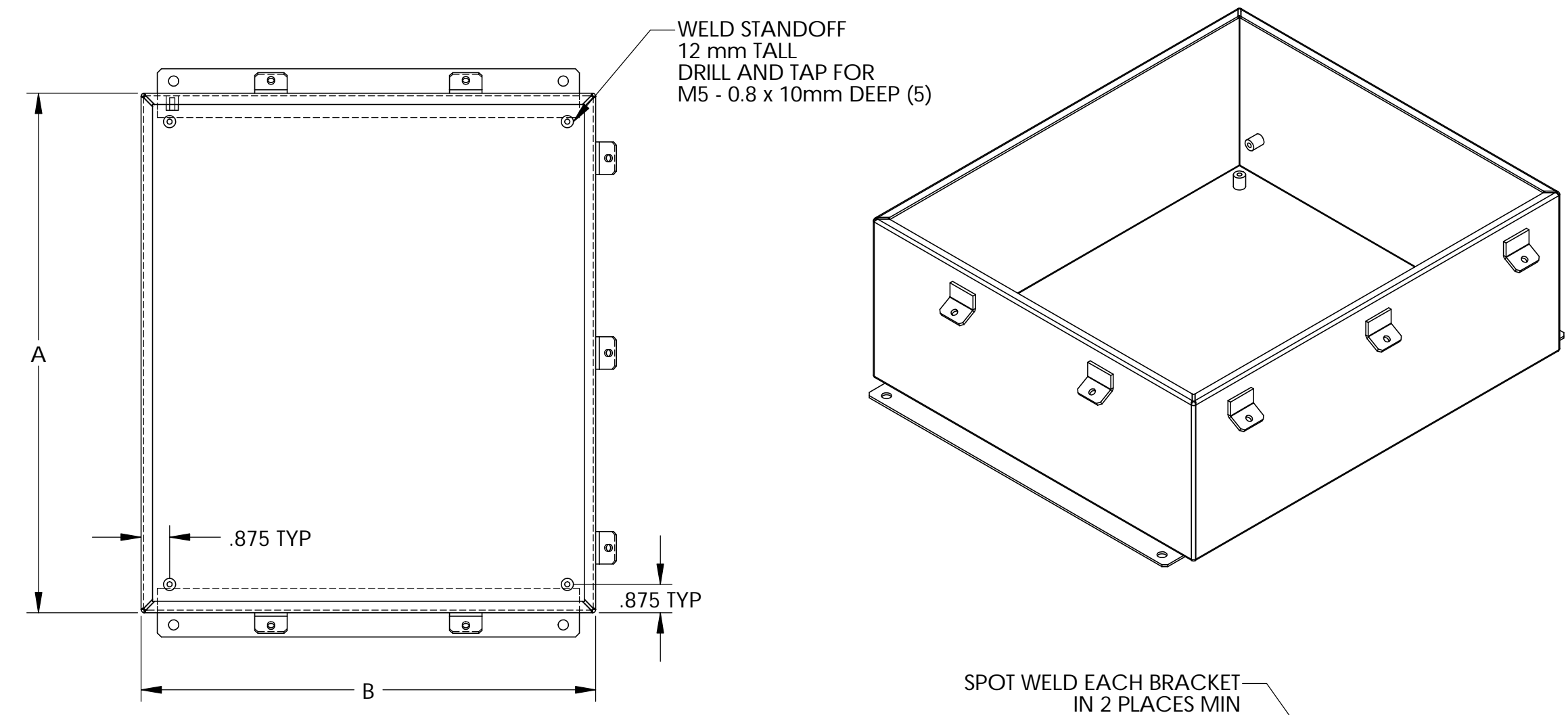
PART NUMBER	A	B	C	D	E	F	G	H	J	K	L	M	No. OF BRACKETS, SCREWS & LATCHES
SN-3700	6.00	4.00	3.00	6.75	2.00	3.00	6.31	4.31	7.50	2.52	3.25	5.00	3
SN-3701	8.00	6.00	3.50	8.75	4.00	5.00	8.31	6.31	9.50	3.02	3.75	7.00	3
SN-3702	6.00	6.00	4.00	6.75	4.00	5.00	6.31	6.31	7.50	3.52	4.25	5.00	3
SN-3703	12.00	10.00	5.00	12.75	8.00	9.00	12.31	10.31	13.50	4.52	5.25	11.00	6
SN-3704	10.00	8.00	6.00	10.75	6.00	7.00	10.31	8.31	11.50	5.52	6.25	9.00	4
SN-3705	12.00	12.00	6.00	12.75	10.00	11.00	12.31	12.31	13.50	5.52	6.25	11.00	6
SN-3706	14.00	12.00	6.00	14.75	10.00	11.00	14.31	12.31	15.50	5.52	6.25	13.00	6
SN-3707	16.00	14.00	6.00	16.75	12.00	13.00	16.31	14.31	17.50	5.52	6.25	15.00	7
SN-3708	14.00	12.00	8.00	14.75	10.00	11.00	14.31	12.31	15.50	7.52	8.25	13.00	6
SN-3709	16.00	14.00	10.00	16.75	12.00	13.00	16.31	14.31	17.50	9.52	10.25	15.00	7

PARTS LIST	
FINISH	AS NOTED
APPROVALS	DATE
DESIGN	1-3-06
CHECKED	DP
MATERIAL	AS NOTED
UNLESS OTHERWISE SPECIFIED	
DO NOT SCALE DRAWING	

QTY.	USED ON	SCALE	DWG. NO.	REV.
			SN-3700	
				SHEET 1 OF 2

THE INFORMATION CONTAINED IN THIS DRAWING IS THE SOLE PROPERTY OF BUD INDUSTRIES INC. ANY REPRODUCTION IN PART OR WHOLE WITHOUT THE WRITTEN PERMISSION OF BUD INDUSTRIES INC. IS PROHIBITED.

DWG. NO. SN-3700	
ISSUE	REVISIONS
	SEE SHEET 1



BODY ASSEMBLY						
PART NUMBER	A	B	C	D	E	F
3700-BA	6.00	4.00	3.00	6.75	2.00	3.00
3701-BA	8.00	6.00	3.50	8.75	4.00	5.00
3702-BA	6.00	6.00	4.00	6.75	4.00	5.00
3703-BA	12.00	10.00	5.00	12.75	8.00	9.00
3704-BA	10.00	8.00	6.00	10.75	6.00	7.00
3705-BA	12.00	12.00	6.00	12.75	10.00	11.00
3706-BA	14.00	12.00	6.00	14.75	10.00	11.00
3707-BA	16.00	14.00	6.00	16.75	12.00	13.00
3708-BA	14.00	12.00	8.00	14.75	10.00	11.00
3709-BA	16.00	14.00	10.00	16.75	12.00	13.00

COVER ASSEMBLY		
PART NUMBER	G	H
3700-CA	6.31	4.31
3701-CA	8.31	6.31
3702-CA	6.31	6.31
3703-CA	12.31	10.31
3704-CA	10.31	8.31
3705-CA	12.31	12.31
3706-CA	14.31	12.31
3707-CA	16.31	14.31
3708-CA	14.31	12.31
3709-CA	16.31	14.31

ALL PARTS TO BE PAINTED SMOOTH GRAY

QTY.		USED ON		PARTS LIST		BUD INDUSTRIES INC.	
				APPROVALS	DATE		
				DP	1-3-06		
				CHECKED			
				FINISH	AS NOTED		
				APPROVED			
				DO NOT SCALE DRAWING		SIZE [DWG. NO. SN-3700]	REV.
						SCALE [CAD FILE]	[SHEET 2 OF 2]